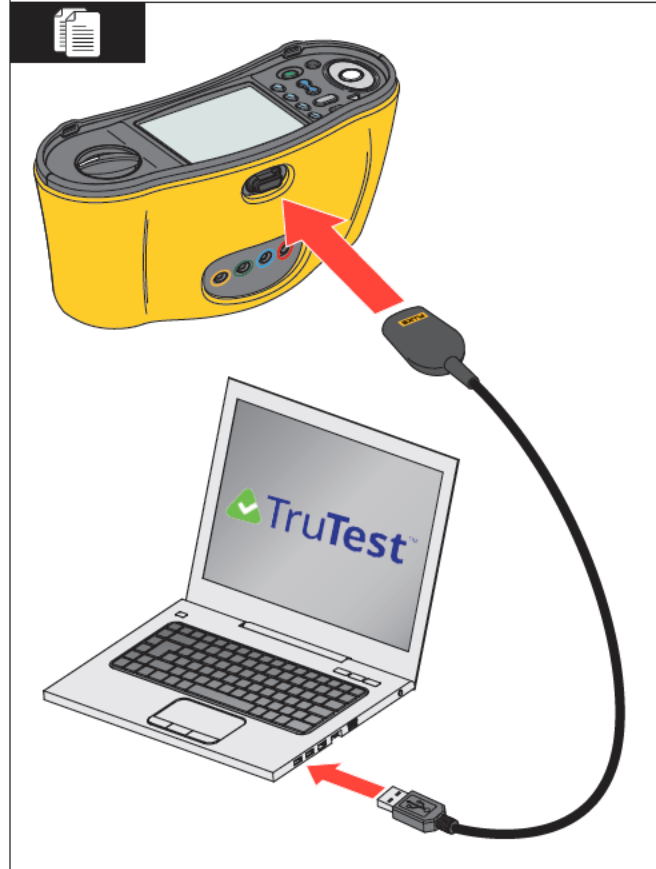
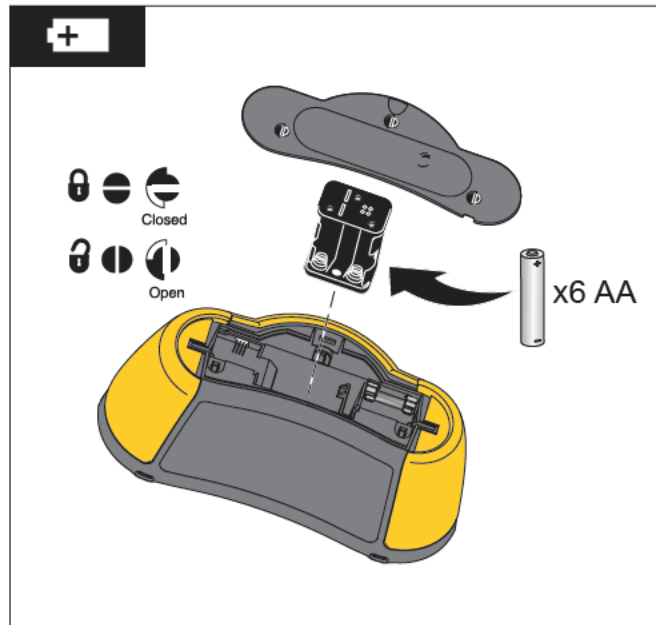
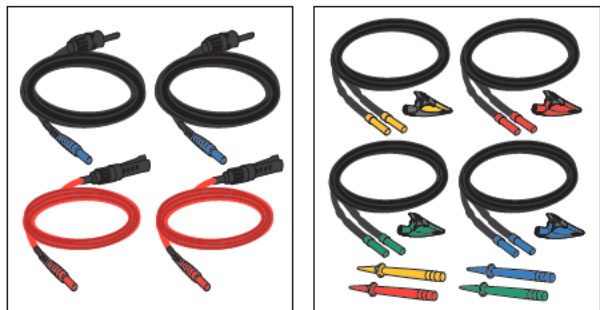


QRG

FLUKE

SMFT-1000
Multifunction PV Analyzer

www.fluke.com



R_{Lo}

-
-
- F4 = ZERO
-
- TEST

One Shot	12/12/20 10:10:31	
R _{Lo}	0.19 Ω	✓
Cont. +	R _{Lo} +	0.12 Ω ✓
Cont. -	R _{Lo} -	0.19 Ω ✓
ZERO	IR _{Lo}	210.7 mA
	Reset Limit: < 0.2 Ω	Equipotential Bonding

- SAVE

V -/+ POLARITY

-
-

12/12/20 10:10:31	
Vdc	+ 90.2 V
 Passed Correct (+) Polarity	
Vdc	- 90.2 V
 Failed Reverse (-) Polarity	

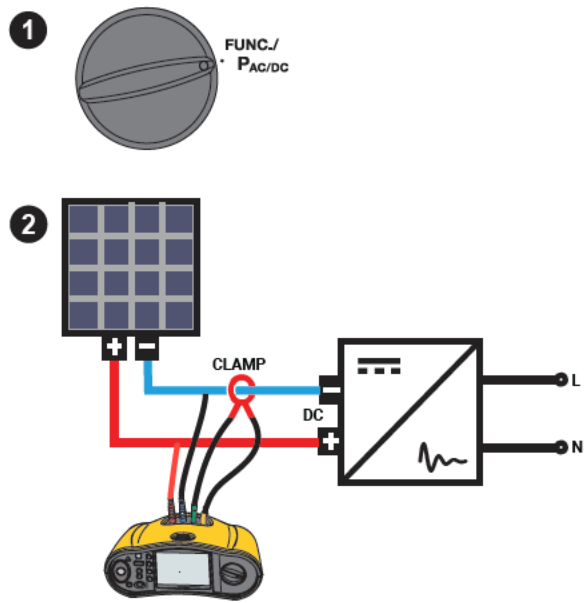
- SAVE

V_{oc} / I_{sc}

-
-
- SAVE

Voc/Isc	12/12/20 10:10:31	
Irr: 1000 W/m ²	Tcell: 73 °F	
V _{oc}	515.2 V	✓
PV Module	V _{oc}	512.2 V ✓
IRR Meter	I _{sc}	19.2 A ✓
	V _{oc} STC: > 500.0 V	I _{sc} STC: > 19.0 A

FUNC./P_{AC/DC}

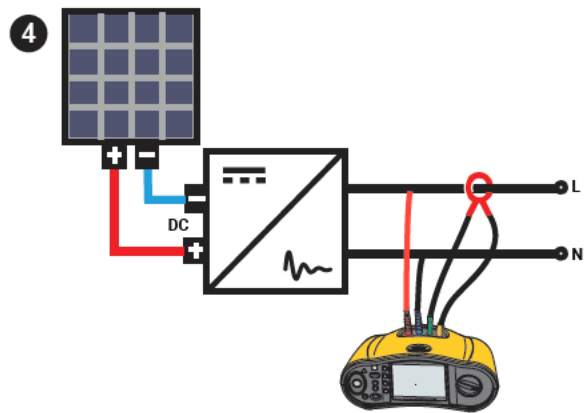


3

TEST

Power	DC	AC
Voltage	993.9 Vdc	--- Vac
Current	20.1 Adc	--- Aac
P	19.97 kW	--- kVA

Functional: Measure AC side. Press F3 to hold AC measurements.

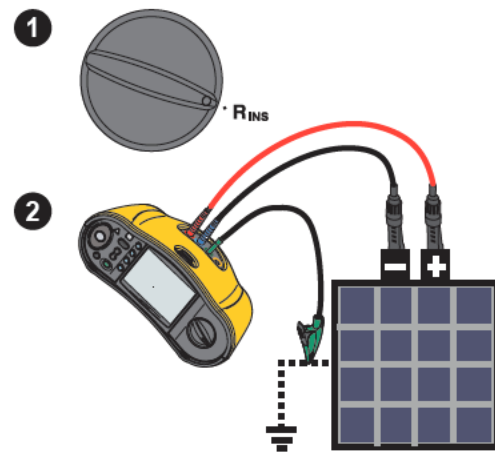


4

Power	DC	AC
Voltage	993.9 Vdc	989.1 Vac
Current	20.1 Adc	19.2 Aac
P	19.97 kW	18.89 kVA

Functional: Measure AC side. Press F3 to hold AC measurements.

R_{INS}



1

R_{INS}

2

12/12/20 10:10:31

Rins I

Rins II

RINS (II) 1.23 MΩ ✓

Rins Cont.

Wet Insulation

VINS 512 V

Reset Vn: 500 V Limit: > 1.0 MΩ

3

SAVE

5

TEST

Power	DC	AC
Voltage	993.9 Vdc	989.1 Vac
Current	20.1 Adc	19.2 Aac
P	19.97 kW	18.89 kVA

Functional: Measure AC side. Press F3 to hold AC measurements.

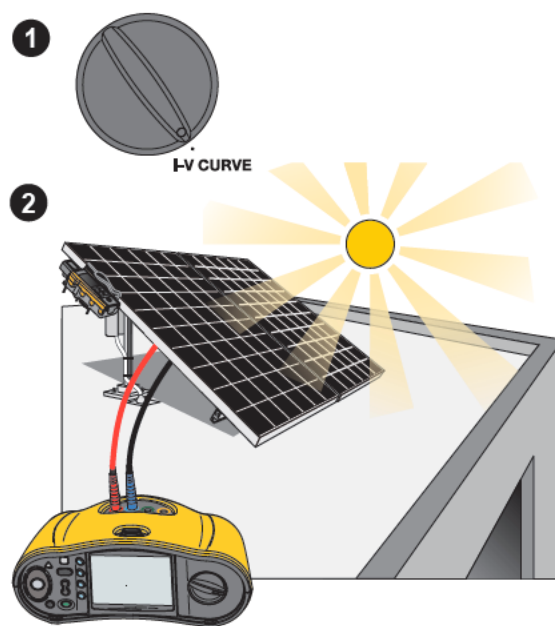
6

F3 Efficiency Factor: 94.5% ✓

7

SAVE

I-V CURVE



1

I-V CURVE

2

12/12/20 10:10:31

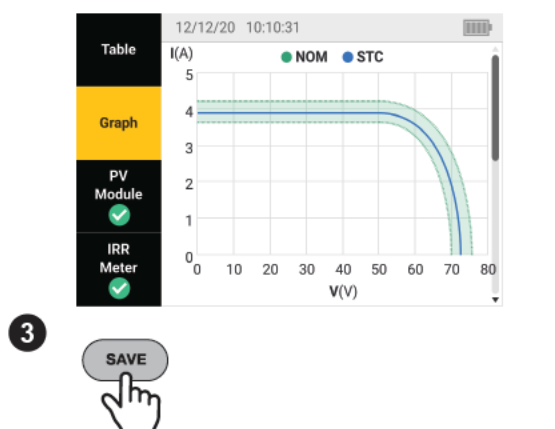
Irr: 1000 W/m² Tcell: 73 °F

	NOM	STC
Voc	44.4 V	40.2 V ✓
Isc	5.4 A	5.1 A ✓
Vmpp	50.2 V	50.1 V ✓
Impp	6.4 A	6.1 A ✓
Pmpp	175 W	170 W ✓
FF	95 %	92 % ✓

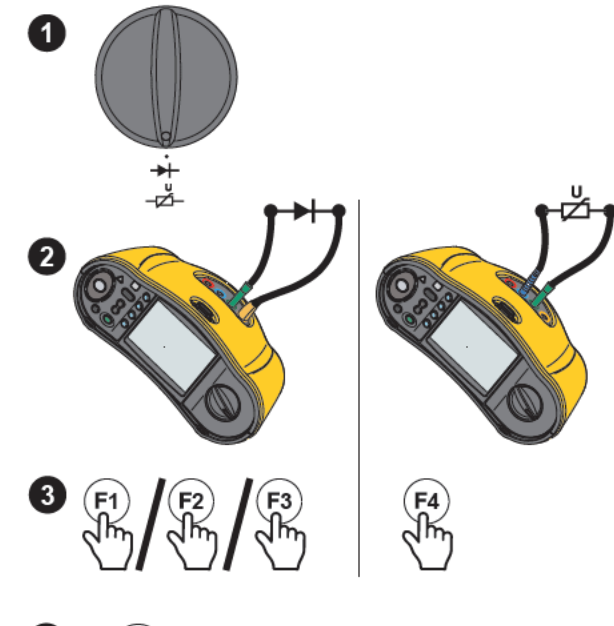
Pass Criteria: 5%

3

SAVE



→ / ←



1

2

3

F1 / F2 / F3

F4

4

TEST

12/12/20 10:10:31

Bypass Diode

Blocking Diode

Diode

V_{DIODE} 1.11 V ✓

SPD

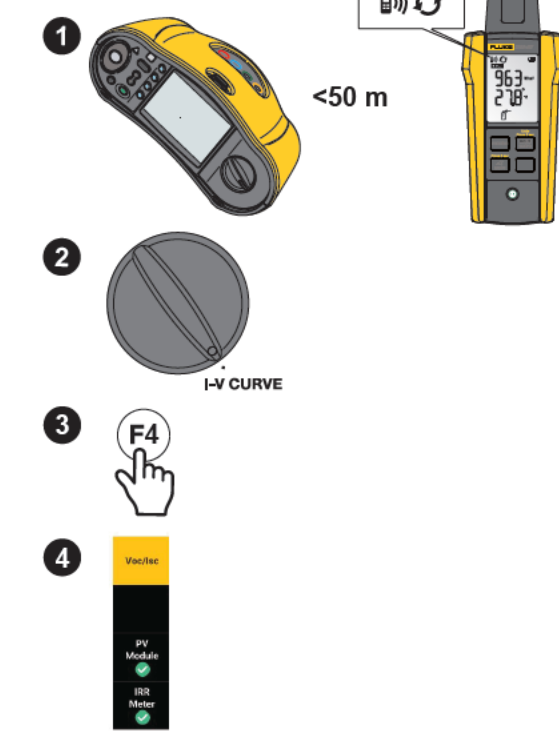
Id 210.2 mA

Set Limit: 0.5 V - 1.65 V

5

SAVE

IRR2-BT



1

2

I-V CURVE

3

F4

4

Voc/Vec

pV Module ✓

IRR Meter ✓

1

MENU

2

Select

12/12/20 10:10:31

- Memory 13 Saved Measurements
- Client/Site New Site A
- Test Engineer None Assigned
- Device Settings
- Help