

# **Armada Technologies**

## **Pro881™ Wire and Valve Locator Operating Instructions**



**WARNING – Read and understand the instructions before operating this unit. Failure to do so could lead to injury or death.**

**English – Page 2**  
**Español – Página 9**

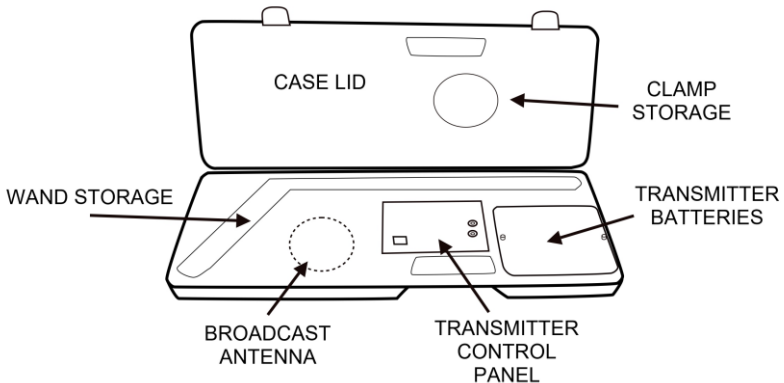
## Description

The Armada Technologies Pro881™ wire and valve locator is designed to easily find lost valves and broken or severely damaged wires and trace their paths. The complete Pro881 kit consists of:

- (1) Pro881R Receiving Wand
- (1) Pro881T Transmitter, Carrying Case, and Leads
- (1) ProGS1 Ground Stake
- (1) Pro-H3 Stereo Headset
- (1) Set of Black/Red Connecting Leads
- (1) Operating Manual

Please be sure that all items are included before operating the Pro881.

## General Arrangement —



**Introduction: Theory of Locating** – Cable locators consist of a transmitter and receiver. In the case of the Pro881™ model, the transmitter is in the long gray box and the receiver is a yellow and black wand. In operation, a transmitter places a specific tracing

signal onto the metallic conductor you are trying to locate. This placing of an AC signal onto a cable produces an electrical current and an electromagnetic field around that cable. If the wand is close enough, this signal is received and amplified by the wand.

It is very important to understand that the circuit you are creating follows the laws of physics and electricity. A cable transmitter creates an electrical current (AC) that travels down the cable, through grounding to the earth, and then back to the transmitter through the ground stake. The tracing signal will always travel on the path of least resistance. If there is too much resistance or no circuit path, no current will flow and no locating will be possible. So, keep in mind that when a signal is heard, it is because the signal has a complete path that is creating an electrically friendly way for the signal to travel back to the transmitter. The signal doesn't just randomly wander through the dirt. It follows a path provided for it, whether it is a pipe, wire, reinforcing bar, etc.

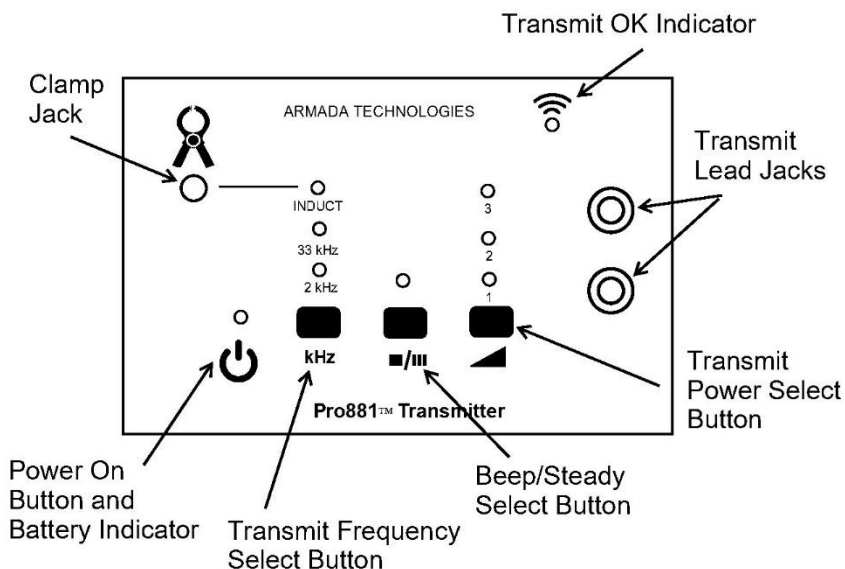
It is also important to note that in tracing circuits, a return path needs to be present. Basically, the return path completes the circuit. In most cases, this will be the earth ground as the signal transmits down the cable and returns to the ground stake. However, any return is possible, so a common wire could work. Or if you have a looped wire, like a dog fence, the loop itself returns to the start and therefore provides a 'ground' instead of the ground stake. You don't have to use a ground stake, but you do have to give the signal a way to return to the transmitter.

**Power** – The Pro881™ transmitter uses 8 “D” (LR20) alkaline batteries that are installed inside the transmitter battery compartment. Remove the battery compartment cover and install the batteries, paying particular attention to the positive and negative poles.

A 9-volt square (6LR61) alkaline or lithium battery is needed for the Pro881™ receiver. It is important that the 9V battery is either alkaline or lithium. Do not use a zinc carbon 9V battery. To install this battery, remove the battery compartment cover located on the back top portion of the Pro881™ receiver with a blade screwdriver. Install the 9V battery by connecting it to the battery snap boot inside the battery compartment. Don't yank or pull hard on the battery boot. Finally, replace the battery cover.

To test that the batteries have been correctly installed, turn each unit on. The control panel LEDs will come on if the batteries have been connected correctly. If not, repeat the installation procedures. The transmitter battery compartment is designed to hold the batteries tightly so if the unit doesn't turn with the power button, try adjusting the batteries by rolling them or moving them forward and backward until the power does come on.

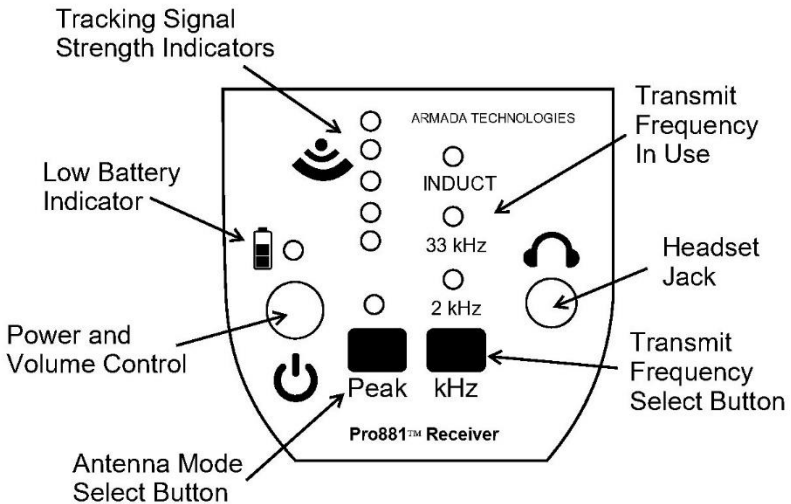
**Battery Condition Indicators** – The transmitter control panel has an LED light above the power button that indicates battery condition. When the light is on, battery power is low. When the light is off, the battery condition is good. As for the wand, the battery condition is also indicated by an LED light. This light is above the volume control on the wand. Once again, when the light is off, the battery is in good condition, and when it is on, the battery is low. Always be sure to check your battery conditions in both the transmitter and the wand if you are having any trouble using the locator. This is a common problem users run in to.



**Transmitter Display Operation** - The Pro881™ is designed to be the most user friendly of any locator on the market which is why its control panel differs from others'. Turn the transmitter ON by pressing the power button. A good ground connection can be indicated by the LED light in the top right corner of the panel underneath the active-signal graphic. The brighter the light, the better the ground connection. If the light does not turn on or is very dim you may consider turning off the machine and moving your grounding stake to a more suitable place for good ground connection. This tends to be a moister surface rather than dry. You can also try getting the ground wet and placing your stake into the ground again to try and improve your connection. Select INDUCT, 33kHz, or 2 kHz mode. The transmitter defaults to a 2 kHz signal which is a good general wire locating choice. When tracking wires that are difficult to clip on to or have hazardous voltages on them

the INDUCT mode with the clamp or internal broadcast antennas may be best. The 33 kHz signals are a good alternative when the tracked wire is short or there are many interfering wires in an area. Make sure your receiver is selected to the same mode as the transmitter. If not, the locator will not work correctly.

**WARNING – Do not touch the metal portion of the red or black alligator clips on the transmitter cords when the power is on. There is danger of injury or death should this occur.**



**Receiver Operation** – Turn on your receiver by turning the volume control clockwise. Once again, battery condition is indicated by the light directly above the power dial (light off = good battery, light on = low battery).

**Tracing Wire** – After the transmitter has been properly connected and verified to have a good ground and power set, turn on the receiving wand. The receiver defaults to the most recently used mode with null antenna reception at every start-up. Place the receiver near the operating transmitter. A beeping sound should be heard indicating that the receiver is working properly. A fading or scratchy signal may indicate a low battery.

There are two receiver wand modes for tracing a path: Null or Peak. The receiver defaults to Null every time it is turned on. Null means an absence of signal when pointed directly at the cable in question and louder to the left and/or right of it a few inches. Peak means the opposite, that the signal is loudest over the cable. You may select which mode suits you best. In general, the closer you are to the cable, the louder the signal should be except for directly over the cable in Null mode. The modes can also be flipped while tracing to give a better indication of path trace quality.

**NOTE – The receiver and transmitter must always be in the same mode to operate correctly.**

The knob on the receiver control panel regulates the volume level of the receiver for both headphones and external speaker. Additionally, the signal LED group on the receiver display will indicate the signal level visually. After connecting and turning on the transmitter and the receiver, point the receiver toward the ground in the direction of the cable and listen for the beeping signal. The feedback of your locate is given in two manners: audible external speaker and headset. These options audibly indicate signal strength that is being received by the Pro881™.

**Finding Faults** – Breaks or severe wire damage can be found the with Pro881™. The setup of the unit is the same as when tracing wire. The difference comes in the reception. Whereas the traced wire continues to emit a signal along the path of the cable, a break will cause the signal to stop at the point of the break. A nick or damage will cause the signal to drop to a lower level but not necessarily end. Either the speaker or the LED signal indicators on the receiver will indicate this drop.

Be sure the cable or wire you are tracking is associated with a ground return path, usually by being insulated, but buried in the earth – this completes a ‘loop’ for tracing current signal. Ground ‘return’ paths can be mechanical meaning a direct physical ground at one end while capacitive grounding generally applies to cable buried in the earth. The signal needs a path to return to the ground stake and without it, you will not get a good locate. A poor ground is indicated when transmitter signal LED doesn’t come on at full power. In most cases, a direct buried cable fault will provide this grounding and allow for a cable to be located.

A general rule is the greater the damage to a cable, the greater the drop off in signal at the point of damage. Conversely, minimal damage or weak grounding will show little change. This is an art and small faults are sometimes difficult to locate. Practice and experience will help immensely in this task.

If the damage is too small to locate and has a path to ground, consider using a ground fault locator like the GFL3000. Small damage to cables, like shovel nicks or gopher chews, can be difficult to locate with a locator. Ground fault locators are designed to find



exactly that kind of fault. More information on ground fault locating and the GFL3000 can be found on our website.



[www.armadatech.com](http://www.armadatech.com)

**Finding Irrigation Solenoids and Valves** – There are generally two accepted methods to find a lost solenoid/valve. The first method is to connect the red lead of the transmitter to the station wire leading to that valve and the black to ground as described above. We refer to this as the ‘unbalanced’ method. Operate the Pro881™ as above and begin your locate. When you reach the valve/solenoid location the signal will expand into a large (approx. 2-4 ft.) diameter area of signal. Many times, this signal volume will get louder. This is your indication that you are over a valve or solenoid.

The second method starts by tracing the wire path as previously described. Once the wire path has been traced you must power the transmitter off, remove the black lead from earth ground and connect it to the common wire. We call this the ‘balanced’ method. In the case of multiple common wires, it is suggested that you isolate and connect to the common wire that services the target valve. Connecting multiple commons will work, however it weakens the signal response.

Power the transmitter on and adjust the output signal to suit the situation. High power output is not usually necessary and will

lessen battery life. It is advised that you once again point the receiver at the transmitter to assure that both units are on and functioning properly.

Slowly follow the pre-marked wire path. There will be an absence of signal response due to cancelling of the closely parallel wires until you near the valve. As you move closer to the valve the receiver will begin making a chattering sound which will intensify and distort, turn the volume down and take your time.

Even with the volume at its lowest setting the response of the valve solenoid will be very loud. Pinpointing the exact location of the solenoid is possible by decreasing the volume and taking your time. The lower the volume is, the more accurate you can be.

Slowly start moving the receiver in an X pattern above the high-pitched area, continue reducing the volume while moving the tip of the receiver closer to the ground. Between proximity of the receiver tip to the ground and the reduction in volume you can tell exactly where the valve solenoid is. Use a pointed probe to find the outline of the valve box before excavating. This will ensure that unwanted damage isn't a result of your locate. Once the valve is located, verify that it is indeed your target either manually, with the Pro48, or from the controller.

There may be more than one valve on the cable being traced. You may wish to continue past the first valve located to determine if other valves are also located on this wire.

**Inductive Clamp Mode** – To use the IC4 clamp, plug the clamp into the clamp receptacle on the Pro881™ transmitter and place the

transmitter in “INDUCT” mode. Clamp the IC4 around the cable or metal pipe to be traced. For best performance, orient the clamp so that the side with the wired handle is closest to the cable. You can also increase the effectiveness of the clamp by wrapping the wire around the clamp jaw as many times as possible. Like a transformer, the more wraps, the more power.

*Please note, the clamp must be placed between grounding points on each end of the cable and the cable must be grounded on both ends for the clamp to work. The clamp induces current onto the cable and the current will not flow if the cable isn't grounded on both ends.*

***Note: INDUCT Mode operates using Null reception only.***

**Inductive Broadcast Operation** - If the inductive clamp is not plugged in in the IDUCT setting the internal Broadcast antenna is activated, saturating the area around the Pro881™ transmitter case with a high frequency field. This field couples to nearby cables and pipes allowing tracking of even unseen targets. This Broadcast mode can be used to check open areas for unknown cables, track cables from a visible valve box to a controller or follow the path of a buried cable that is not accessible.

**How to Determine Depth** – Find the null over the wire path and mark it. Then place the tip of the receiver on the ground at the mark. Without lifting the receiver tip from the ground, lower the top of the receiver to approximately a 45-degree angle. Now slowly drag the receiver away from the wire path until you re-acquire the null. The distance between the wire path and the newly established

null is the approximate depth of the target. This is the equilateral triangle method.

**Determining Target Accuracy** – This is a very easy to perform method of determining target accuracy. Place the tip of the receiver on the ground directly over your suspected target location, switch from null to peak by pressing the mode selection pad. The peak and null responses will agree if the locate is accurate. If the peak and null are off by more than a few inches the location is not accurate. Toggling between the null and peak modes often when locating the wire path will assure you of accuracy and help build your confidence.

**Helpful Hints** – Increases in signal strength and/or the size of the area it is occurring from usually indicates some type of anomaly in the cabling. Things that could cause this are valves (as described above), nicks, cuts, bad splices, or cut wires. Cable in good condition does not normally change the tone or strength, other than a very gradual loss of reception over distance, but it is possible. Slack loops of extra wire left in the ground at installation are an example of a condition that would cause an increase of signal and yet have no problem.

Also, soil condition makes a huge difference in the performance of cable locators. Basically, a circuit is being created from the transmitter, through the cable, out through the ground and back to the ground stake. Any discontinuity in any of these links will cause the locator to not work. Be sure your ground stake is secure and, in the dirt, and that the transmitter is connected to the cable you want to track.

The soil serves as the return path for the circuit. When using direct connection methods, you may have to condition dry or sandy soils

to increase the conductivity of the soil by adding a little water at the ground stake. The best way to really learn the Pro881™ is to use it. Set up a test site at your home or office and get used to how it works. There is no substitute for experience in the art of locating.

In addition, our website has many training videos under the training lab which can be accessed 24/7. We also have available technical support with live human beings Monday through Friday from 8am to 4:30pm EST.

## Specifications

**Tracking Range**            Depth: 8 feet (2.4 m) 2kHz  
Wire length: 5,000 feet (1.5 km) with direct connection  
Wire length: unlimited with broadcast mode and leapfrogging

**Tracking Signals**        Frequency One: 2 kHz direct connect  
Frequency Two: 33 kHz direct connect  
Frequency Three (INDUCT): 175 kHz via clamp or internal Broadcast antenna

**Wand Antennas**            Receive Peak – 2 and 33 kHz  
Receive Null – 2 and 33 kHz  
Receive Peak – 175 kHz  
Transmit Internal – 175 kHz

### **Clamp Interior Diameter**

3.5 inches (85 mm)

### **Direct Connect Signal Output**

900 V peak with no load, 1 W maximum

### **Wand Signal Indication**

Audible - speaker or headset  
Visible - 5-LED bar

**Power Source**            Transmitter: Eight (8) 'D' cells (LR20)  
alkaline or lithium

Receiver: One (1) 9 V (6LR61)

**Warranty – Armada Technologies warranties all products for 12 months from manufacturing defects from the date of retail purchase. Armada Technologies will repair or replace any component that is returned to Armada Technologies within 12 months of purchase and does not exhibit signs of abuse or misuse. It is Armada Technologies’ sole discretion to determine this condition. Armada Technologies also reserves the right to require a proof of purchase in order to determine date and validity of purchase. Batteries are not covered by warranty.**

# Armada Technologies Pro881™

## Manual de Instrucciones



**ADVERTENCIA -- Lea y entienda las instrucciones antes de operar esta unidad. Utilizarla sin comprender cómo manejarla podría ocasionar un accidente o la muerte.**



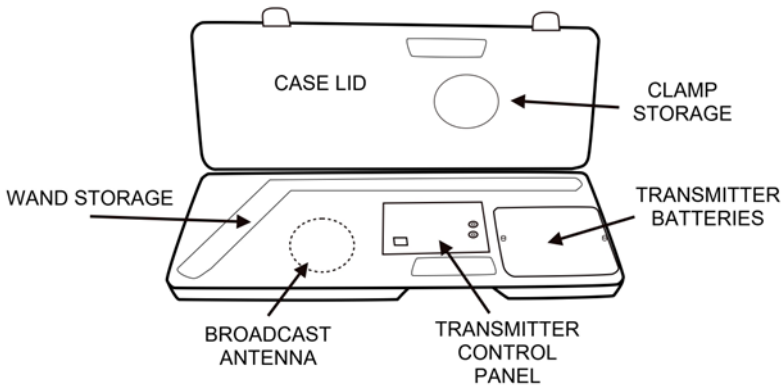
## Descripción

El cable Pro881™ y localizador de válvulas de Armada Technologies está diseñado para fácilmente encontrar válvulas perdidas o rotas o cables severamente dañados y trazar sus trayectorias. El kit completo Pro881 consiste de:

- (1) Vara receptora Pro881R
- (1) Transmisor Pro881T, estuche portátil, y conductores
- (1) Estaca/Punta para tierra ProGS1
- (1) Auriculares estéreoPro-H3
- (1) Juego de cables/piezas conductoras rojas y negras
- (1) Manual de operaciones

Por favor asegúrese de que todos las piezas estén incluidas antes de operar el Pro881.

## Esquema General



## **Introducción: Teoría para Localización**

Cables localizadores consisten de un transmisor y un receptor. En el caso del modelo Pro881™, el transmisor está en la caja larga gris y el receptor es una varita amarilla y negra. En funcionamiento, un transmisor coloca una señal de rastreo específica sobre el conductor metálico que está intentando localizar. Esta colocación de una señal de corriente alterna sobre un cable produce una corriente eléctrica y un campo electromagnético alrededor de ese cable. Si la varita está lo suficientemente cerca, esta señal es recibida y amplificada por la varita.

Es muy importante entender que el circuito que está creando sigue las leyes de la física y la electricidad. Un transmisor por cable crea una corriente eléctrica (CA) que viaja por el cable, a través de la conexión a tierra, y luego de vuelta al transmisor a través de la estaca de tierra. La señal de rastreo siempre viajará por el camino de menor resistencia. Si hay demasiada resistencia o no hay recorrido, no fluirá la corriente y no será posible la localización. Por lo tanto, tenga en cuenta que cuando se oye un sonido, es porque la señal tiene un camino completo que está creando una forma eléctricamente amigable para que la señal viaje de vuelta al transmisor. La señal no vaga aleatoriamente por la tierra. Sigue un camino previsto para ella, ya sea una tubería, un cable, una barra de refuerzo, etc.

También es importante tener en cuenta que, al trazar circuitos, es necesario que exista una vía de retorno. Básicamente, la vía de retorno completa el circuito. En la mayoría de los casos, será la toma de tierra, ya que la señal se transmite por el cable y vuelve a la estaca de tierra. Sin embargo, cualquier retorno es posible, por lo que un cable común podría funcionar. O si tiene un cable en bucle, como una valla para perros, el propio bucle vuelve al principio y, por lo tanto, proporciona una "toma de tierra" en

lugar de la estaca de tierra. No es necesario utilizar una estaca de tierra, pero hay que dar a la señal una forma de volver al transmisor.

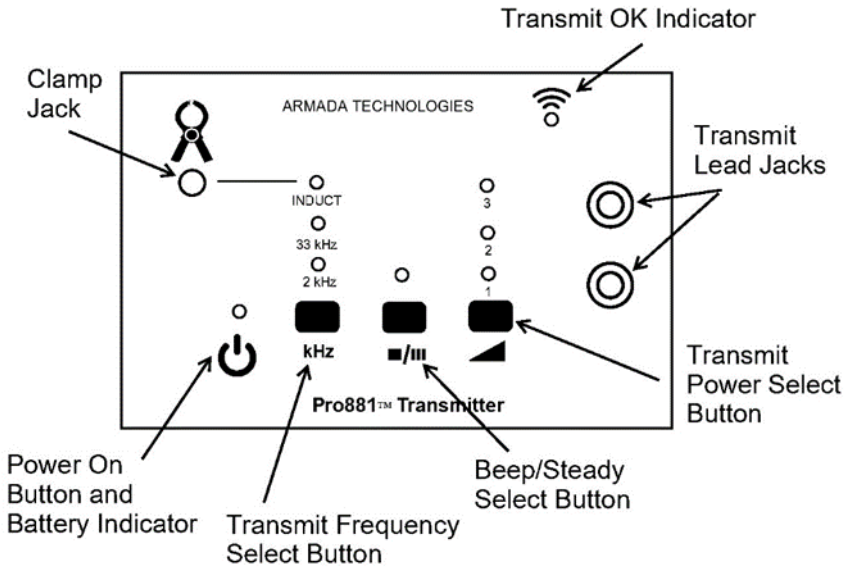
**Fuente de alimentación** - El transmisor Pro881™ utiliza 8 pilas alcalinas "D" (LR20) que se instalan dentro del compartimento de las pilas del transmisor. Retire la tapa del compartimento de las pilas e instale las pilas, prestando especial atención a los polos positivo y negativo.

Se necesita una pila alcalina o de litio cuadrada de 9 voltios (6LR61) para el receptor Pro881™. Es importante que la pila de 9 V sea alcalina o de litio. No utilice una pila de zinc-carbono de 9V. Para instalar esta pila, retire la tapa del compartimento de la pila situada en la parte superior trasera del receptor Pro881™ con un destornillador de punta. Instale la pila de 9V conectándola al cierre a presión situado en el interior del compartimento de la pila. No tire o jale con fuerza del compartimento de la pila. Por último, vuelva a colocar la tapa de la batería.

Para comprobar que las pilas se han instalado correctamente, encienda cada unidad. Los LED del panel de control se encenderán si las pilas se han conectado correctamente. Si no es así, repita los procedimientos de instalación. El compartimento de las pilas del transmisor está diseñado para sujetarlas firmemente, por lo que si la unidad no gira con el botón de encendido, pruebe a ajustar las pilas haciéndolas rodar o moviéndolas hacia delante y hacia atrás hasta que se encienda.

Indicadores del estado de la batería - El panel de control del transmisor tiene una luz LED arriba del botón de encendido que indica el estado de la batería. Cuando la luz está encendida, la carga de la batería es baja. Cuando la luz está apagada, el estado

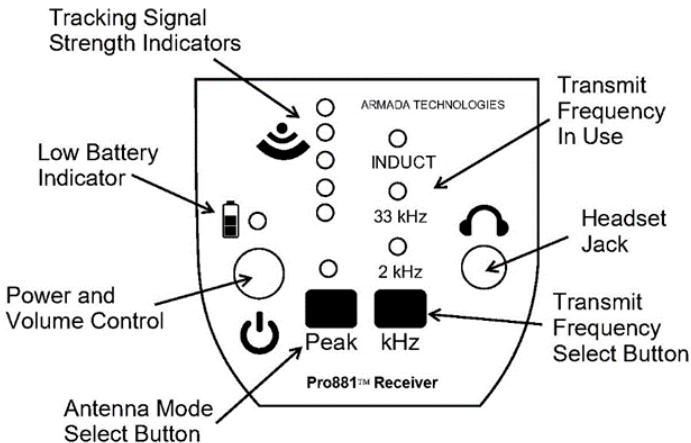
de la batería es bueno. En cuanto a la varita, el estado de la batería también se indica mediante una luz LED. Esta luz se encuentra arriba del control de volumen del mando. Una vez más, cuando la luz está apagada, la batería está en buen estado, y cuando está encendida, la batería está baja. Asegúrese siempre de comprobar el estado de la batería, tanto en el transmisor como en la vara, si tiene problemas para utilizar el localizador. Este es un problema común de acuerdo a los consumidores.



**Funcionamiento de la pantalla del transmisor** - El Pro881™ está diseñado para ser el más fácil de usar de todos los localizadores del mercado, razón por la cual su panel de control difiere del de los demás. Encienda el transmisor pulsando el botón de encendido. Una buena conexión a tierra puede ser indicada por la luz LED en la esquina superior derecha del panel debajo del gráfico de señal activa. Cuanto más brillante sea la luz, mejor será la conexión a tierra. Si la luz no se enciende o es muy tenue,

puede considerar apagar la máquina y mover su estaca de tierra a un lugar más adecuado para una buena conexión a tierra. Suele ser una superficie más húmeda que seca. También puede intentar mojar el suelo y volver a colocar la estaca en el suelo para intentar mejorar la conexión. Seleccione el modo INDUCT, 33kHz o 2 kHz. El transmisor selecciona por defecto una señal de 2 kHz, que es una buena opción general para localizar cables. Cuando localice cables difíciles de sujetar o con tensiones peligrosas, el modo INDUCT con la pinza o las antenas de transmisión internas pueden ser la mejor opción. Las señales de 33 kHz son una buena alternativa cuando el cable rastreado es corto o hay muchos cables de interferencia en un área. Asegúrese de que su receptor está seleccionado en el mismo modo que el transmisor. Si no es así, el localizador no funcionará correctamente.

**ADVERTENCIA - No toque la parte metálica de las pinzas de cocodrilo rojas o negras de los cables del transmisor cuando esté encendido. Existe peligro de lesiones o muerte en caso de que esto ocurra.**



**Funcionamiento del receptor** - Encienda su receptor girando el control de volumen en el sentido de las agujas del reloj. Una vez más, el estado de la batería se indica mediante la luz situada directamente arriba del dial de encendido (luz apagada = batería en buen estado, luz encendida = batería baja).

**Rastreo de cables** - Una vez que el transmisor ha sido conectado correctamente y se ha verificado que tiene una buena puesta a tierra y alimentación, encienda la varilla receptora. El receptor se pone por automático en el modo utilizado más recientemente con recepción de antena nula en cada puesta en marcha. Coloque el receptor cerca del transmisor en funcionamiento. Deberá oírse un pitido indicando que el receptor funciona correctamente. Una señal desvanecida o rasposa puede indicar que la batería está baja.

Hay dos modos de varilla receptora para trazar una trayectoria: Null o Peak. El receptor se pone por defecto en Null cada vez que se enciende. Null significa una ausencia de señal cuando se apunta directamente al cable en cuestión y más fuerte a la izquierda y/o derecha del mismo unos pocos centímetros. Peak significa lo contrario, que la señal es más fuerte por encima del cable. Puede seleccionar el modo que más le convenga. En general, cuanto más cerca esté del cable, más fuerte será la señal, excepto directamente sobre el cable en el modo Nulo. Los modos también se pueden alternar durante el trazado para obtener una mejor indicación de la calidad del trazado.

**NOTA - El receptor y el transmisor deben estar siempre en el mismo modo para funcionar correctamente.**

El mando del panel de control del receptor regula el nivel de volumen del receptor tanto para los auriculares como para el

altavoz externo. Además, el grupo de LED de señal de la pantalla del receptor indicará visualmente el nivel de señal. Después de conectar y encender el transmisor y el receptor, apunte el receptor hacia el suelo en la dirección del cable y escuche el pitido. La retroalimentación de su localización se da de dos maneras: altavoz externo audible y auriculares. Estas opciones indican de forma audible la intensidad de la señal que está recibiendo el Pro881™.

**Localización de averías** - Las roturas o daños graves en los cables pueden detectarse con el Pro881™. La configuración de la unidad es la misma que cuando se rastrea cable. La diferencia viene en la recepción. Mientras que el alambre trazado continúa emitiendo una señal a lo largo de la trayectoria del cable, una rotura hará que la señal se detenga en el punto de la rotura. Una mella o un daño harán que la señal baje a un nivel inferior, pero no necesariamente que se acabe. El altavoz o los indicadores LED de señal del receptor indicarán esta caída.

Asegúrese de que el cable o alambre que está rastreando está asociado a una vía de retorno a tierra, normalmente por estar aislado, pero enterrado en la tierra - esto completa un "bucle" para rastrear la señal de corriente. Las vías de "retorno" a tierra pueden ser mecánicas, es decir, una toma de tierra física directa en un extremo, mientras que la toma de tierra capacitiva suele aplicarse a cables enterrados en tierra. La señal necesita un camino de retorno a la estaca de tierra y, sin él, no se obtendrá una buena localización. Una toma de tierra deficiente se indica cuando el LED de señal del transmisor no se enciende a plena potencia. En la mayoría de los casos, una avería directa en un cable enterrado proporcionará esta toma de tierra y permitirá localizar un cable.

Una regla general es que en cuanto mayor sea el daño en un cable, mayor será la caída de la señal en el punto del daño. Por el contrario, un daño mínimo o una conexión a tierra débil mostrarán pocos cambios. Se trata de un arte y a veces es difícil localizar pequeños fallos. La práctica y la experiencia ayudarán enormemente en esta tarea.

Si el daño es demasiado pequeño para localizarlo y tiene una trayectoria a tierra, considere la posibilidad de utilizar un localizador de fallos a tierra como el GFL3000. Los pequeños daños en los cables, como las muescas de las palas o los mordiscos de las ardillas, pueden ser difíciles de localizar con un localizador. Los localizadores de defectos a tierra están diseñados para encontrar exactamente ese tipo de defectos. Encontrará más información sobre la localización de averías en el suelo y el GFL3000 en nuestro sitio web.



**Búsqueda de solenoides y válvulas de** riego - En general, existen dos métodos aceptados para encontrar un solenoide/válvula perdido. El primer método consiste en conectar el cable rojo del transmisor al cable de la estación que va a esa válvula y el negro a tierra, como se ha descrito anteriormente. Nos referimos a esto como el método "desequilibrado". Opere el Pro881™ como se indicó anteriormente y comience su localización. Cuando llegue a la ubicación de la válvula/solenoide, la señal se expandirá en un área de señal de gran diámetro (aprox. 2-4 pies). Muchas veces, el



volumen de esta señal se hará más fuerte. Esta es su indicación de que está sobre una válvula o solenoide.

El segundo método comienza trazando la ruta de los cables como se ha descrito anteriormente. Una vez trazado el recorrido de los cables, apague el transmisor, retire el cable negro de la toma de tierra y conéctelo al cable común. Este método se denomina "equilibrado". En el caso de múltiples cables comunes, se sugiere que aisle y conecte al cable común que da servicio a la válvula objetivo. La conexión de varios cables comunes funciona, pero debilita la respuesta de la señal.

Encienda el transmisor y ajuste la señal de salida en función de la situación. Por lo general, no es necesario utilizar una potencia de salida elevada, ya que reducirá la duración de la batería. Es aconsejable que vuelva a apuntar el receptor al transmisor para asegurarse de que ambas unidades están encendidas y funcionan correctamente.

Siga lentamente el recorrido del cable previamente marcado. Habrá una ausencia de respuesta de la señal debido a la cancelación de los cables estrechamente paralelos hasta que se acerque a la válvula. A medida que se acerque a la válvula, el receptor empezará a emitir un sonido de parloteo que se intensificará y distorsionará, baje el volumen y tómese su tiempo.

Incluso con el volumen al mínimo, la respuesta del solenoide de la válvula será muy fuerte. La localización exacta del solenoide es posible bajando el volumen y tomándose su tiempo. Cuanto más bajo esté el volumen, mayor será la precisión.

Lentamente comience a mover el receptor en forma de X sobre el área de tono alto, continúe reduciendo el volumen mientras acerca la punta del receptor al suelo. Entre la proximidad de la

punta del receptor al suelo y la reducción del volumen puede saber exactamente dónde está el solenoide de la válvula. Utilice una sonda puntiaguda para encontrar el contorno de la caja de válvulas antes de excavar. Esto asegurará que no se produzcan daños no deseados como resultado de su localización. Una vez localizada la válvula, verifique que efectivamente es su objetivo, ya sea manualmente, con el Pro48 o desde el controlador.

Puede haber más de una válvula en el cable que se está rastreando. Es posible que desee continuar más allá de la primera válvula localizada para determinar si otras válvulas también se encuentran en este cable.

**Modo de pinza inductiva** - Para utilizar la pinza IC4, conecte la pinza en el receptáculo de pinza del transmisor Pro881™ y coloque el transmisor en modo "INDUCT". Sujete la pinza IC4 alrededor del cable o tubo metálico que desee trazar. Para obtener el mejor rendimiento, oriente la pinza de modo que el lado con el asa cableada esté más cerca del cable. También puede aumentar la eficacia de la pinza enrollando el cable alrededor de la mordaza de la pinza tantas veces como sea posible. Como en un transformador, cuantas más vueltas, más potencia.

*Tenga en cuenta que la pinza debe colocarse entre los puntos de conexión a tierra de cada extremo del cable y que el cable debe estar conectado a tierra en ambos extremos para que la pinza funcione. La pinza induce corriente en el cable y la corriente no fluirá si el cable no está conectado a tierra en ambos extremos.*

**Nota: El modo INDUCT sólo funciona con recepción Null.**

**Funcionamiento de proyección inductiva** - Si la pinza inductiva no está conectada en el ajuste IDUCT, la antena de proyección interna se activa, saturando el área alrededor de la caja del

transmisor Pro881™ con un campo de alta frecuencia. Este campo se acopla a los cables y tuberías cercanos permitiendo el rastreo incluso de objetivos invisibles. Este modo de proyección o Broadcast puede utilizarse para buscar cables desconocidos en zonas abiertas, rastrear cables desde una arqueta visible hasta un controlador o seguir la trayectoria de un cable enterrado que no es accesible.

**Cómo determinar la profundidad** - Encuentre el nulo sobre la trayectoria del cable y márkelo. Luego coloque la punta del receptor en el suelo en la marca. Sin levantar la punta del receptor del suelo, baje la parte superior del receptor a aproximadamente un ángulo de 45 grados. Ahora arrastre lentamente el receptor lejos de la trayectoria del cable hasta que vuelva a adquirir el nulo. La distancia entre la trayectoria del cable y el nuevo nulo establecido es la profundidad aproximada del blanco. Este es el método del triángulo equilátero.

**Determinación de la precisión del blanco** - Este es un método muy fácil de realizar para determinar la precisión del blanco. Coloque la punta del receptor en el suelo directamente sobre la ubicación de su presunto blanco, cambie de null a peak presionando la almohadilla de selección de modo. Las respuestas de peak y null coincidirán si la localización es precisa. Si los modos peak y null difieren en más de unas pocas pulgadas, la localización no es precisa. Alternar entre los modos null y peak con frecuencia al localizar la trayectoria del cable le asegurará la precisión y le ayudará a aumentar su confianza.

**Consejos útiles** - El aumento de la intensidad de la señal y/o el tamaño de la zona desde la que se produce suele indicar algún tipo de anomalía en el cableado. Las causas pueden ser válvulas (como las descritas anteriormente), muescas, cortes, empalmes en mal estado o cables cortados. Un cable en buenas condiciones

no suele cambiar el tono o la intensidad, salvo una pérdida muy gradual de recepción a lo largo de la distancia, pero es posible. Los bucles flojos de cable extra dejados en el suelo en la instalación son un ejemplo de una condición que causaría un aumento de la señal y, sin embargo, no tendría ningún problema.

Además, el estado del suelo influye enormemente en el rendimiento de los localizadores por cable. Básicamente, se crea un circuito desde el transmisor, a través del cable, por el suelo y de vuelta a la estaca de tierra. Cualquier discontinuidad en cualquiera de estos enlaces hará que el localizador no funcione. Asegúrese de que la estaca de tierra está bien clavada en el suelo y de que el transmisor está conectado al cable que desea rastrear.

El suelo sirve de vía de retorno para el circuito. Cuando utilice métodos de conexión directa, es posible que tenga que acondicionar suelos secos o arenosos para aumentar la conductividad del suelo añadiendo un poco de agua en la estaca de tierra. La mejor manera de conocer realmente el Pro881™ es utilizarlo. Establezca un lugar de prueba en su casa u oficina y acostúmbrese a su funcionamiento. No hay nada que sustituya la experiencia en el arte de la localización.

Además, nuestro sitio web tiene muchos vídeos para ayuda, los cuales puede acceder 24 horas al día, 7 días a la semana. También tenemos disponible soporte técnico con seres humanos en vivo de lunes a viernes de 8am a 4:30pm EST.

## Specifications

<b>Rango de Rastreo</b>	Profundidad: 8 pies (2.4 m) 2kHz Longitud del cable: 5,000 pies (1.5 km) con conexión directa Longitud del cable: ilimitada con el modo de proyección (broadcast) y salto de frecuencia
<b>Señales de Rastreo</b>	Frecuencia número uno: 2 kHz con conexión directa Frecuencia número dos: 33 kHz con conexión directa Frecuencia número tres (INDUCT): 175 kHz a través de la pinza o la antena de proyección interna
<b>Antenas de Vara</b>	Máximo receptor (Peak) – 2 and 33 kHz Receptor nulo (Null) – 2 and 33 kHz Máximo receptor – 175 kHz Transmisión interna – 175 kHz
<b>Diámetro de la Pinza Interior</b>	3.5 pulgadas (85 mm)
<b>Señal de Salida de Conexión Directa</b>	900 V máximo sin carga, 1 W máximo
<b>Señal Indicativa de la Vara</b>	Auditoria – altavoz o auriculares Visible – barras 5-LED
<b>Power Source</b> litio 'D' (LR20)	Transmisor: Ocho baterías alcalinas o de litio 'D' (LR20) Receptor: 1 de 9 V (6LR61)

**Garantía - Armada Technologies garantiza todos los productos durante 12 meses contra defectos de fabricación a partir de la fecha de compra al por menor. Armada Technologies reparará o reemplazará cualquier componente que sea devuelto a Armada Technologies dentro de los 12 meses posteriores a la compra y siempre y cuando no muestre señales de abuso o mal uso. Armada Technologies determinará esta condición a su entera discreción. Armada Technologies también se reserva el derecho de exigir un comprobante de compra para determinar la fecha y validez de la compra. La garantía no cubre las baterías.**

