



Model MB23 and MB25

Basic Moisture Analyzers



Speed, Simplicity and Affordability

The new OHAUS MB23 and MB25 Basic Moisture Analyzers combine high quality and durable construction into a sleek, compact design. The MB23 and MB25 offer dependable, accurate, results for a wide variety of applications.

Standard Features Include:

- **Flexible Performance** – The OHAUS MB23 and MB25 provide accurate results at either 0.1% or 0.05% readability. And with your choice of infrared or halogen heating, they are ideal for textiles, wastewater, ceramics, food and other applications that require IR heating elements and measurements to 0.1% or 0.05%.
- **Simple to Operate** – Set up and operation is extremely easy. Just press and hold the temperature or time buttons to set drying parameters, add your sample and begin the test process. This makes the MB23 and MB25 ideal for routine tasks performed by operators of all skill levels.
- **Compact, Easy-to-Clean Design** – The compact footprint (17 x 13 x 28 cm) of the OHAUS MB23 and MB25 is designed to take up less space. Their easy-to-clean heating chamber is ideal for frequent use and inexpensive maintenance.

MB23 and MB25 Basic Moisture Analyzers

Specifications

| Model | MB23 | MB25 |
|-----------------------------|---|--|
| Capacity | 110g | |
| Repeatability (Std Dev) (g) | 0.3% (3g sample) 0.2% (10g sample) | 0.2% (3g sample) 0.05% (10g sample) |
| Readability | 0.1% / 0.01g | |
| Sample Size | 3g to 20g typical, 0.5g min. | |
| Interface | Bidirectional RS-232 | |
| Timer | 1 - 99 minutes, 30-second increments to 60 minutes | |
| Heating Technology | Infrared (no glass) | Halogen |
| Temperature Range | 50°C to 160°C in 5° increments | |
| Power | 100 to 240 VAC, 50/60 Hz | |
| Tare Range | To capacity by subtraction | |
| Operating Temperature Range | 5° to 40°C | |
| Display Type | Custom backlit LCD | |
| Displays | % moisture or % solids or weight (g), temperature, time | |
| Pan Size (Diameter) | 90 mm | |
| Dimensions (W x H x D) | 17 x 13 x 28 cm | |
| Net Weight | 2.3 kg | |
| Shipping Weight | 3.9 kg | |

Included Accessories

| | | |
|---------------------------|------------------------|----------|
| Sample Pans (Quantity 50) | Standard | |
| In Use Cover | Standard | |
| Sample Pan Handler | Optional (PN 11113873) | Standard |

Models are CE, CSA/UL and FCC approved

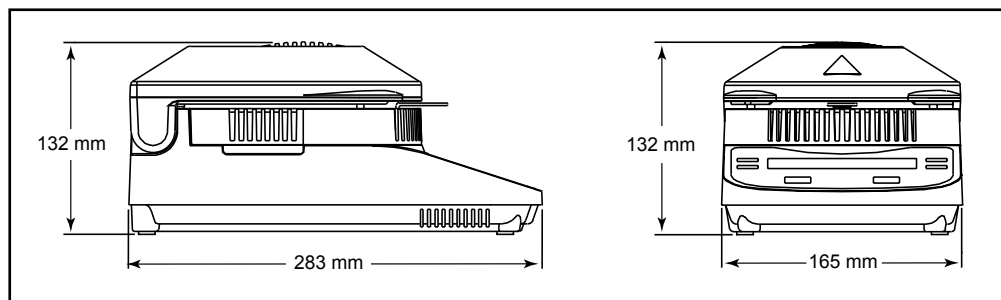


With its small footprint, the OHAUS MB23 and MB25 are compact enough to fit on any benchtop



The OHAUS MB23 comes with an infrared heating element, while the MB25 uses halogen technology

Outline Dimensions



Options and Accessories

| | Ohaus Number |
|--|--------------|
| Security Locking Cable | .80850000 |
| Security Lock (Kensington® type) | .80850043 |
| Temperature Calibration Kit | .11113857 |
| 50g M1 Calibration Weight | .11117146 |
| Sample Pans (80/Box) | .80850086 |
| Pads, Glass Fiber (200/Box) | .80850087 |
| Reusable Sample Pans (3/pk) | .80850088 |
| STP103 Thermal Printer EU | .80251993 |
| STP103 Thermal Printer UK | .80251994 |
| CBM910 Impact Printer EU | .80252043 |
| SRP275 Impact Printer UK | .80251989 |
| Cable, STP103 | .80252581 |
| Cable, CBM910 | .80252571 |
| Cable, SRP275 | .21253677 |
| Collect Software | .80500746 |

Industry Leading Quality and Support

All OHAUS MB Series Moisture Analyzers are manufactured under an ISO 9001:2000 Registered Quality Management System. Our rugged construction and stringent quality control have been hallmarks of all OHAUS products for over a century.

* ISO 9001:2000
Registered Quality Management System

80774xxx © Copyright Ohaus Corporation

